

SPADONE

RUGGED + RELIABLE

FOR OVER 100 YEARS

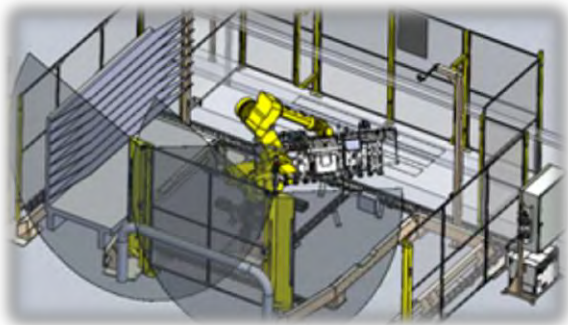
AUTOMATIC TREAD BOOKING SYSTEM

White Sidewall Buffers & Sprayers | Vent Trimmers | Skivers | Bias Cutters | Guillotines
Shears | Web Handling | Trucks | Upgrade Kits | Spare Parts



www.spadonemachine.com

AUTOMATIC TREAD BOOKING SYSTEM



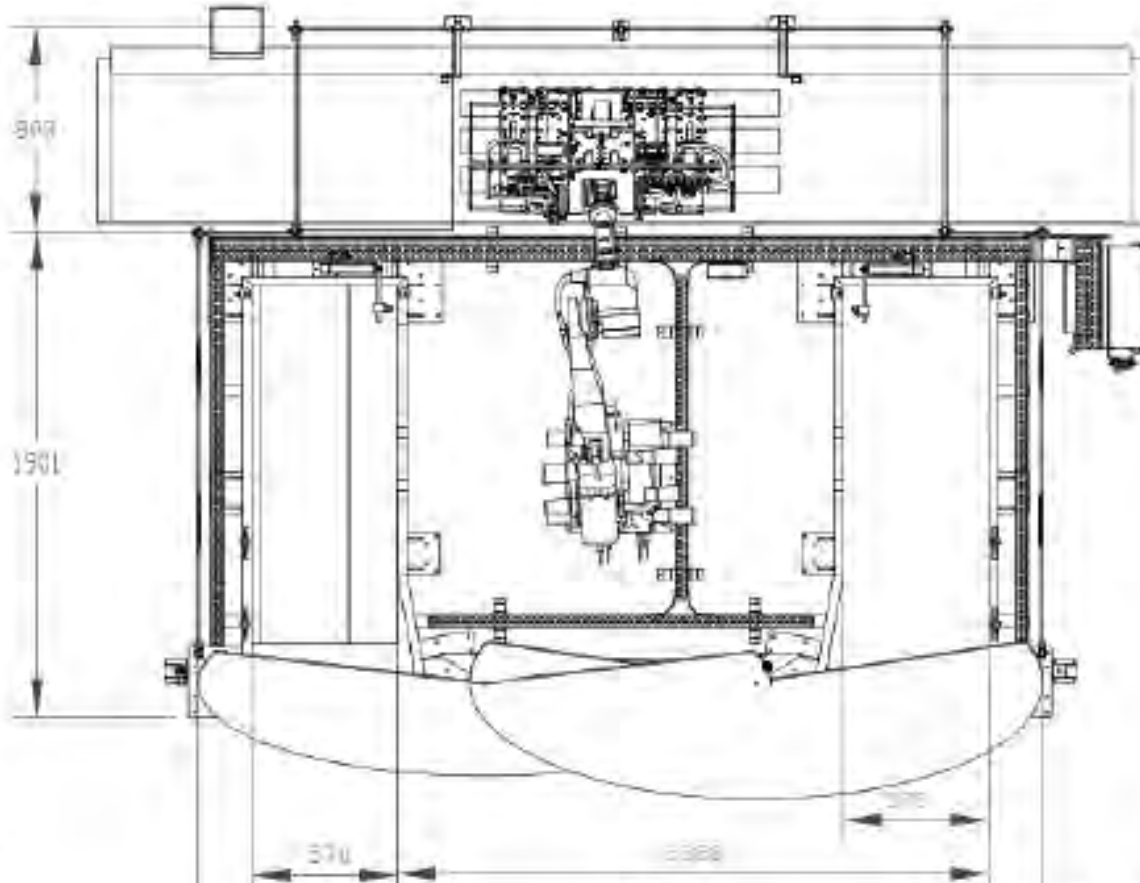
Technical Specifications

Spadone's Automatic Tread Booking Systems are designed for the most demanding applications. For over 100 years, Spadone has manufactured technologically advanced and dependable machines for the tire and rubber industry. The Automatic Tread Booking System is designed to handle a wide range of treads with fully automatic integration with Spadone's Tread Tray Trucks. The system detects closed or open trays, with external sensors measuring the distance to the last closed tray. The booking system is integrated with a perimeter security fence, safety light curtains and pre-scanner detection in the loading and unloading truck area.

Features

- Capacity to handle 2, 3 or 4 treads (depending on production)
- Tread length between 59" (1500mm) and 100" (2500mm)
- Working with up to two trucks alternatively
- Fully automatic integration with Spadone Tread Tray Trucks
- Robot equipped with tray folding system
- Height control and trays identification
- Safe robot position control using Dual Check Safety (DCS) and Ethernet IP safety
- Control and communication with line by Rockwell safety PLC and Panel View.
- Automatic handling and adjustment for different treads lengths
- EOT with independent vacuum circuit.
- Guarded for operator safety
- High production capability
- Rugged and dependable
- Smooth and quiet operation

Illustrative Drawing



RUGGED. DEPENDABLE. RELIABLE.

Spadone is the worldwide brand leader in equipment for the tire, rubber and industrial markets. Since 1917, Spadone equipment has proven to be rugged, reliable, and dependable. For over 100 years, Spadone has proudly manufactured in the USA. As the pioneer in bias cutters, Spadone continues to lead the way by providing the highest quality equipment to meet the growing needs of its customers throughout the world.

**INDUSTRY LEADING
PERFORMANCE
SINCE 1917**

SPADONE

spadonemachine.com



601 Davisville Rd, Willow Grove, PA 19090
P: 1.215.396.8005 E: sales@spadonemachine.com