

# SPADONE

# RUGGED + RELIABLE

FOR OVER 100 YEARS

# VENT TRIMMER FOR TRUCK TIRES

White Sidewall Buffers | Vent Trimmers | Skivers | Bias Cutters | Guillotines  
Shears | Web Handling | Trucks | Upgrade Kits | Spare Parts

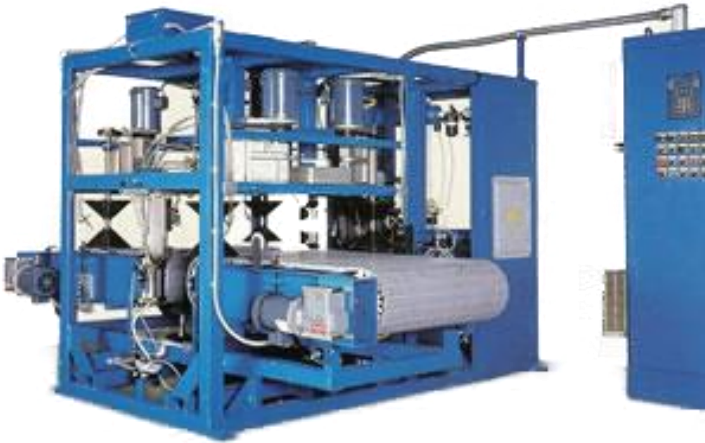


[www.spadonemachine.com](http://www.spadonemachine.com)

## VENT TRIMMER

### Technical Specifications

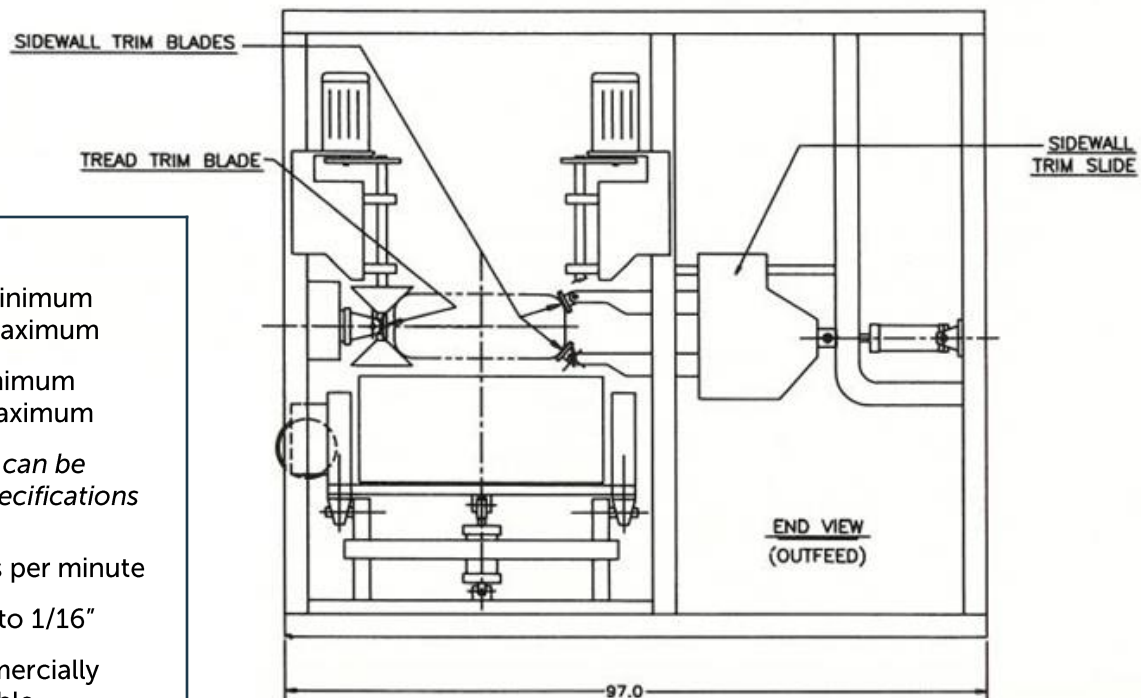
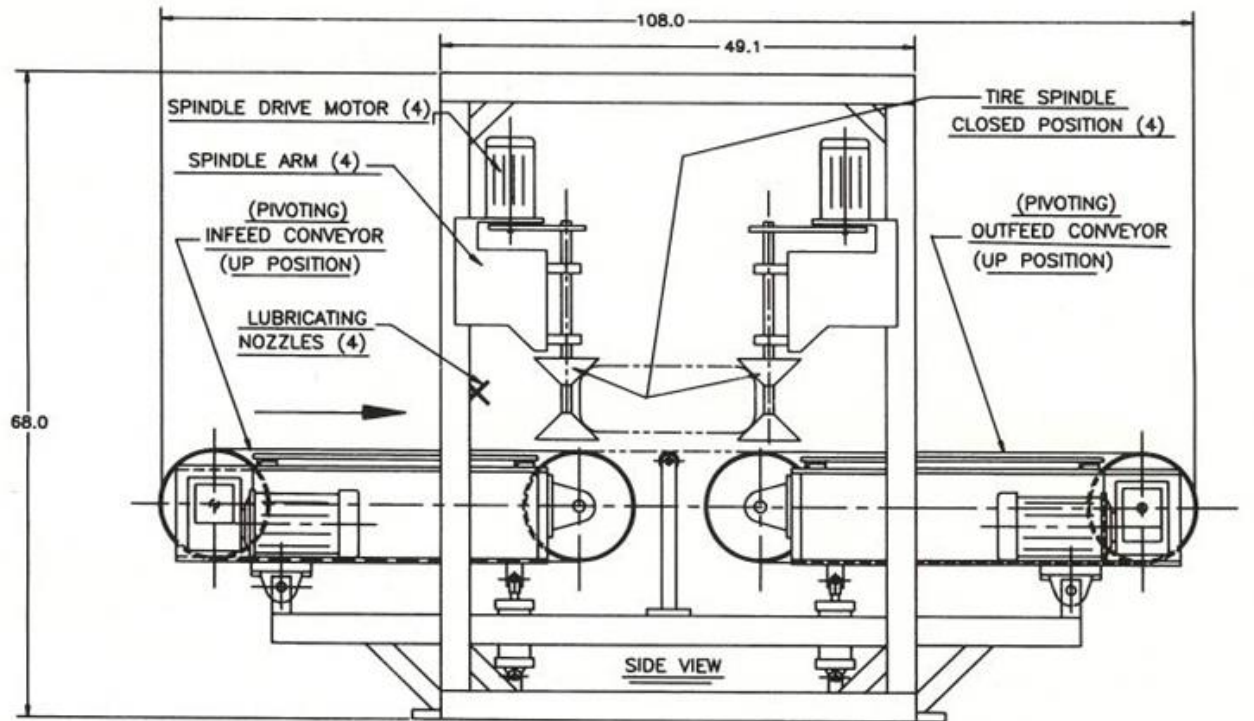
Spadone's Vent Trimmers are designed for the most demanding applications. For over 100 years, Spadone has manufactured rugged and dependable machines for the tire and rubber industry. Spadone's Vent Trimmer is fully automatic, requires no pre-sorting for light truck and truck tires. With a broad range of options and configurations, Spadone's Vent Trimmers are designed with the highest production capability in mind.



#### Features

- Fully automatic
- No pre-sorting
- High production capability
- Rugged and dependable
- Guarded for operator safety
- Cycle times of 4 tires per minute
- Bead-to-bead trimming
- 3 trimming knives consisting of one tread knife and two sidewall trimming knives
- 4 spindles independently driven for optimal trimming speed
- Optic sensor measures outside diameter of tire
- Allen Bradley PLC adjusts trim speed, spindle positions and knives paths
- Intralox conveyors
- Reliance motors
- Commercially available knives
- Designed to run with minimal standard maintenance
- Machine will alert operator when blades must be changed or when lube needs replenishing

Illustrative Drawing



### Specifications

Tire O.D. 24" minimum  
60" maximum

Tire Width 3" minimum  
12" maximum

*Note: Above dimensions can be modified to customer specifications*

Trim Cycle Rate 4 tires per minute

Trim Accuracy 1/32" to 1/16"

Knives Commercially available

Type of Lubricant Pro-Tire Lube

Lubricant Consumption Rate 1 quart per day

**RUGGED. DEPENDABLE. RELIABLE.**

Spadone is the worldwide brand leader in equipment for the tire, rubber and industrial markets. Since 1917, Spadone equipment has proven to be rugged, reliable, and dependable. For over 100 years, Spadone has proudly manufactured in the USA. As the pioneer in bias cutters, Spadone continues to lead the way by providing the highest quality equipment to meet the growing needs of its customers throughout the world.

**INDUSTRY LEADING  
PERFORMANCE  
SINCE 1917**

**SPADONE**

[spadonemachine.com](http://spadonemachine.com)



601 Davisville Rd, Willow Grove, PA 19090  
P: 1.215.396.8005 E: [sales@spadonemachine.com](mailto:sales@spadonemachine.com)