

SPADONE

RUGGED + RELIABLE

FOR OVER 100 YEARS

VENT TRIMMER FOR PASSENGER TIRES

White Sidewall Buffers | Vent Trimmers | Skivers | Bias Cutters | Guillotines
Shears | Web Handling | Trucks | Upgrade Kits | Spare Parts

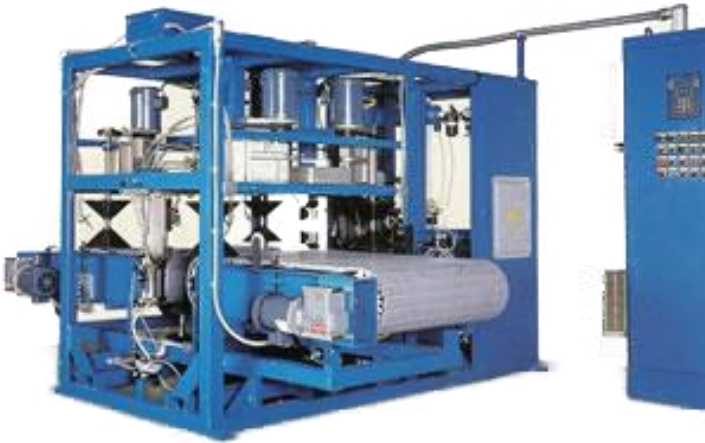


www.spadonemachine.com

VENT TRIMMER

Technical Specifications

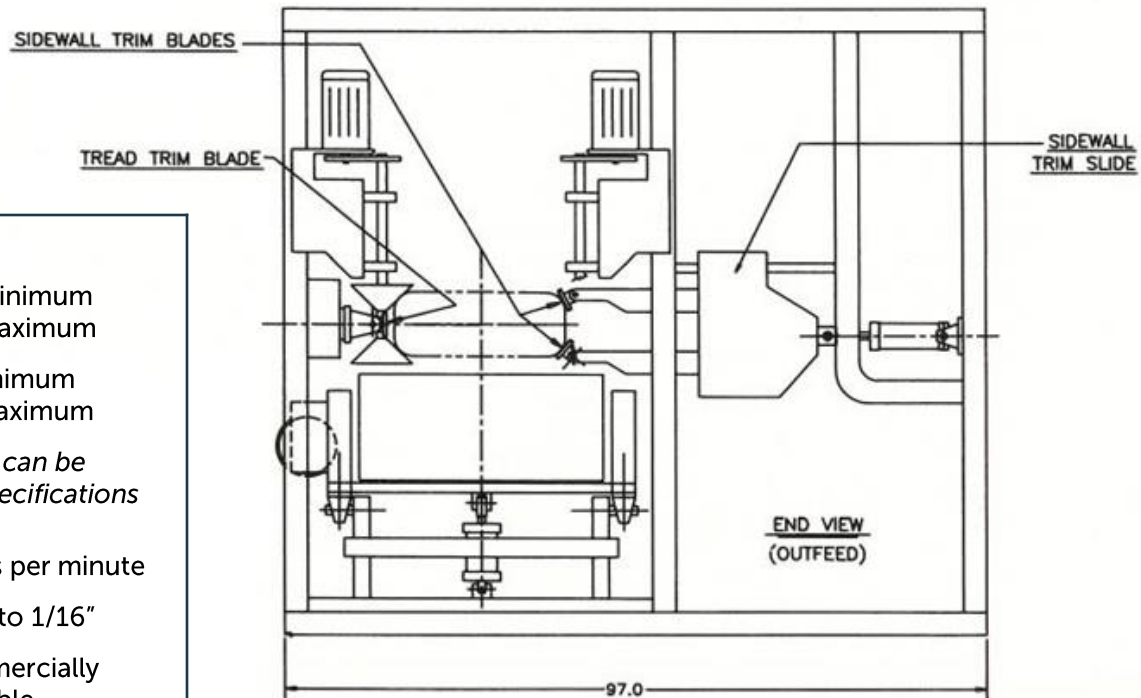
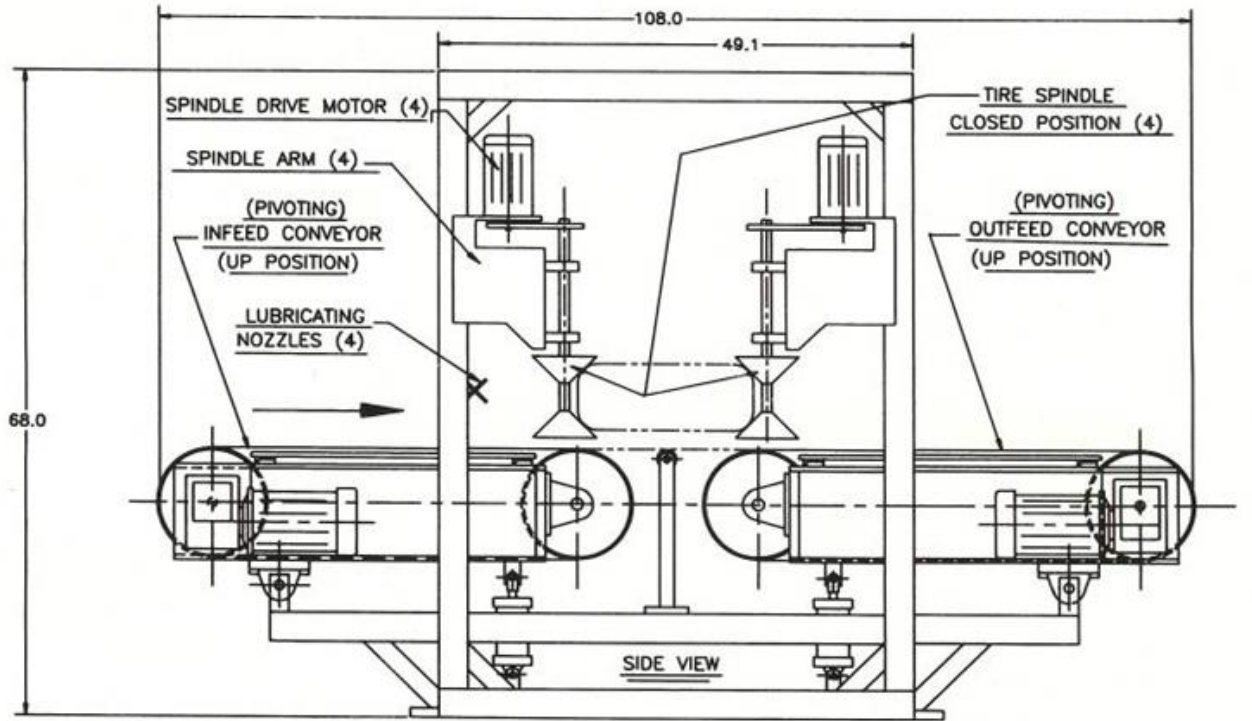
Spadone's Vent Trimmers are designed for the most demanding applications. For over 100 years, Spadone has manufactured rugged and dependable machines for the tire and rubber industry. Spadone's Vent Trimmer is fully automatic, requires no pre-sorting for passenger, SUV, light truck, and motorcycle tires. With a broad range of options and configurations, Spadone's Vent Trimmers are designed with the highest production capability in mind.



Features

- Fully automatic
- No pre-sorting
- High production capability
- Rugged and dependable
- Guarded for operator safety
- Cycle times of 4 tires per minute
- Bead-to-bead trimming
- 3 trimming knives consisting of one tread knife and two sidewall trimming knives
- 4 spindles independently driven for optimal trimming speed
- Optic sensor measures outside diameter of tire
- Allen Bradley PLC adjusts trim speed, spindle positions and knives paths
- Intralox conveyors
- Reliance motors
- Commercially available knives
- Designed to run with minimal standard maintenance
- Machine will alert operator when blades must be changed or when lube needs replenishing

Illustrative Drawing



Specifications

Tire O.D.	24" minimum 33" maximum
Tire Width	3" minimum 12" maximum

Note: Above dimensions can be modified to customer specifications

Trim Cycle Rate	4 tires per minute
Trim Accuracy	1/32" to 1/16"
Knives	Commercially available
Type of Lubricant	Pro-Tire Lube
Lubricant Consumption Rate	1 quart per day

RUGGED. DEPENDABLE. RELIABLE.

Spadone is the worldwide brand leader in equipment for the tire, rubber and industrial markets. Since 1917, Spadone equipment has proven to be rugged, reliable, and dependable. For over 100 years, Spadone has proudly manufactured in the USA. As the pioneer in bias cutters, Spadone continues to lead the way by providing the highest quality equipment to meet the growing needs of its customers throughout the world.

**INDUSTRY LEADING
PERFORMANCE
SINCE 1917**

SPADONE

spadonemachine.com



601 Davisville Rd, Willow Grove, PA 19090
P: 1.215.396.8005 E: sales@spadonemachine.com