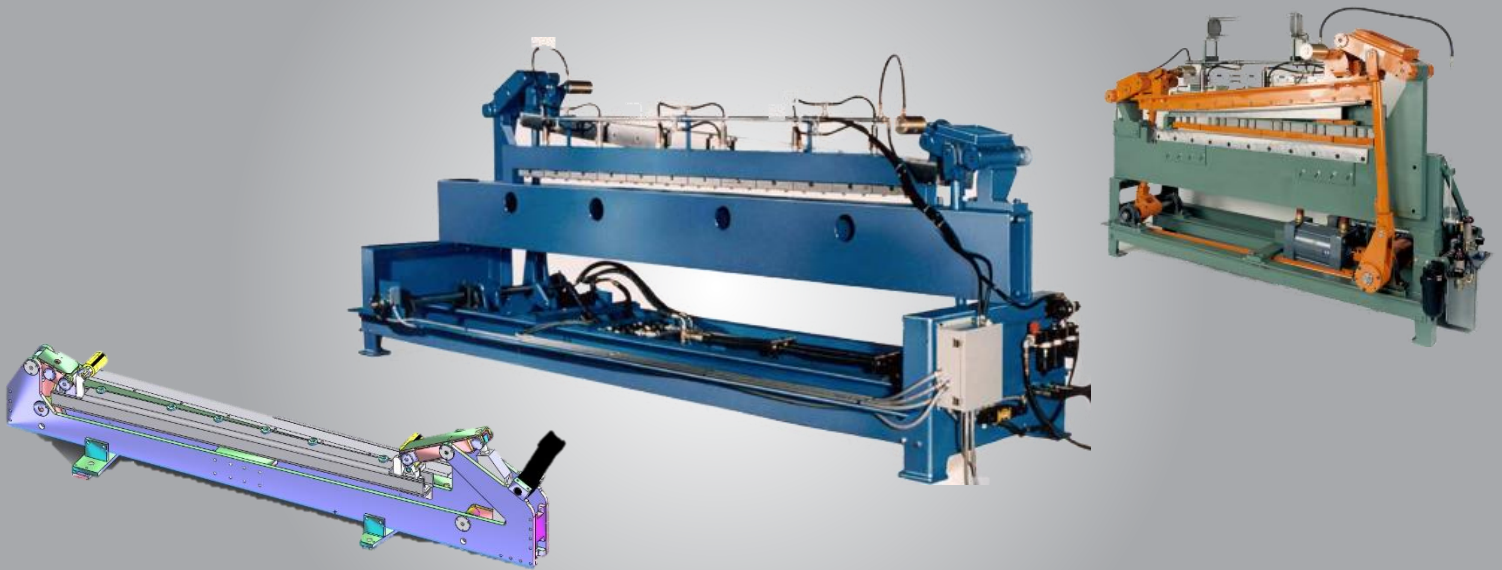


# SPADONE

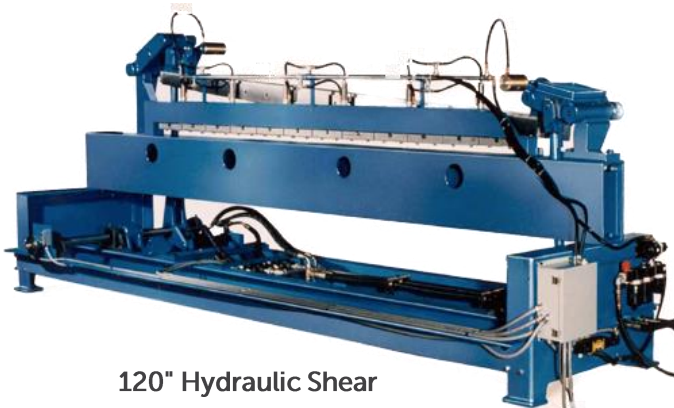
# RUGGED + RELIABLE FOR OVER 100 YEARS SHEARS

White Sidewall Buffers & Sprayers | Vent Trimmers | Skivers | Bias Cutters | Guillotines  
Shears | Web Handling | Trucks | Upgrade Kits | Spare Parts



[www.spadonemachine.com](http://www.spadonemachine.com)

## SHEARS



120" Hydraulic Shear



60" Air Operated Shear

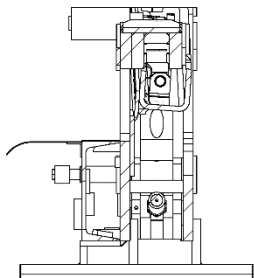
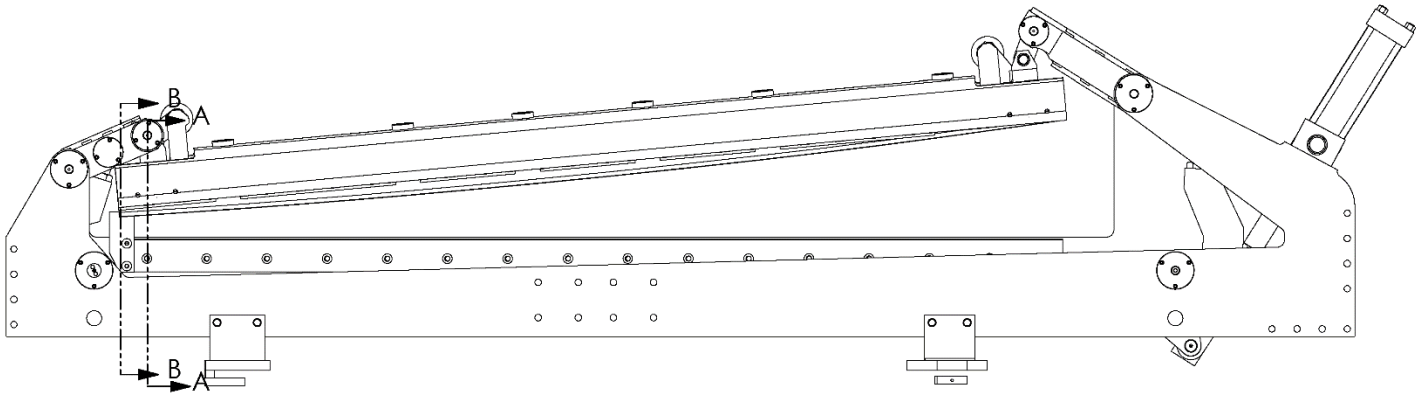
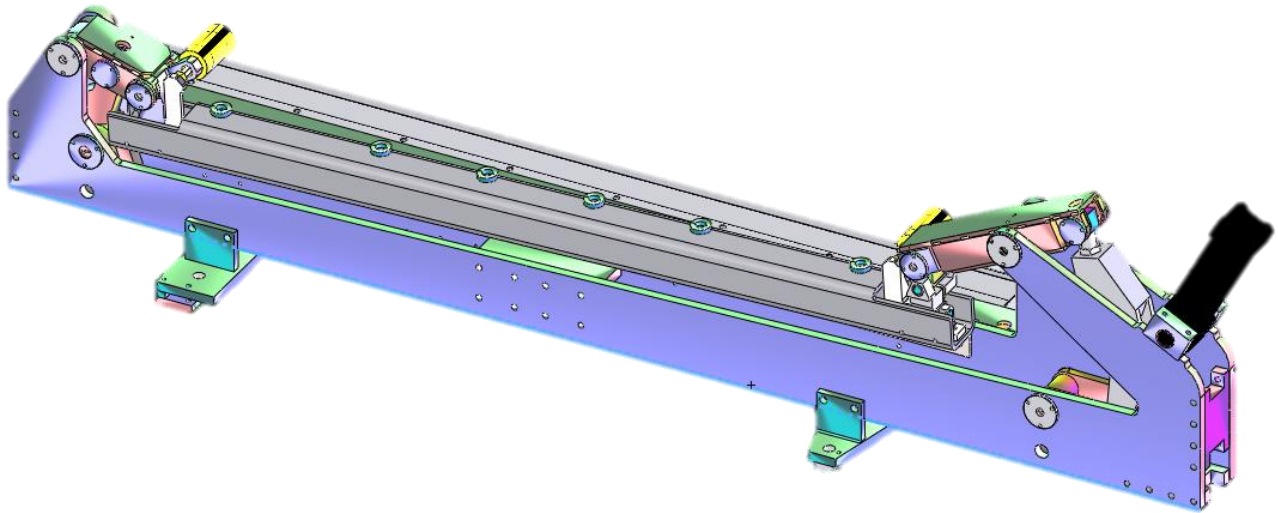
### Technical Specifications

Spadone's Shears are designed for the most demanding applications. Since 1917, Spadone has manufactured rugged and dependable machines for tire, rubber and industrial applications. Spadone's comprehensive line of Shears are fully automatic and designed to cleanly cut soft flexible materials as well as wire and Kevlar fabric. With a broad range of options and configurations, Spadone's Shears are designed with the highest production capability in mind.

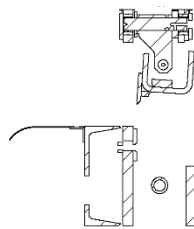
#### Features

- Fully automatic
- Close accuracy
- High production capability
- Rugged and dependable
- Smooth operation
- Guarded for operator safety
- Allen Bradley PLC system
- Air, electrically or hydraulically actuated
- Designed to customer specifications
- Cutting cycle ranging from 0.25 seconds to 2.3 seconds
- Cutting widths range from 18" to 168"
- Production line or standalone use

Illustrative Drawing



SECTION B-B



SECTION A-A

### Specifications

Cycle Rate	0.25 seconds to 2.3 seconds
Actuator	Electric, Air or Hydraulic
Cutting Width	18" to 168"
Knife	Size varies depending on shear
Guarding	Complete, including floor mounted enclosure around shear
Services Required	Electrical: adaptable to local requirements

**RUGGED. DEPENDABLE. RELIABLE.**

Spadone is the worldwide brand leader in equipment for the tire, rubber and industrial markets. Since 1917, Spadone equipment has proven to be rugged, reliable, and dependable. For over 100 years, Spadone has proudly manufactured in the USA. As the pioneer in bias cutters, Spadone continues to lead the way by providing the highest quality equipment to meet the growing needs of its customers throughout the world.

**INDUSTRY LEADING  
PERFORMANCE  
SINCE 1917**

**SPADONE**

[spadonemachine.com](http://spadonemachine.com)



601 Davisville Rd, Willow Grove, PA 19090  
P: 1.215.396.8005 E: [sales@spadonemachine.com](mailto:sales@spadonemachine.com)