

# SPADONE

# RUGGED + RELIABLE

## FOR OVER 100 YEARS

### M8 START / STOP SERVO TREAD SKIVER

White Sidewall Buffers & Sprayers | Vent Trimmers | Skivers | Bias Cutters | Guillotines  
Alfa Shears | Web Handling | Trucks | Upgrade Kits | Spare Parts



[www.spadonemachine.com](http://www.spadonemachine.com)

## M8 START / STOP SERVO TREAD SKIVER

### Technical Specifications

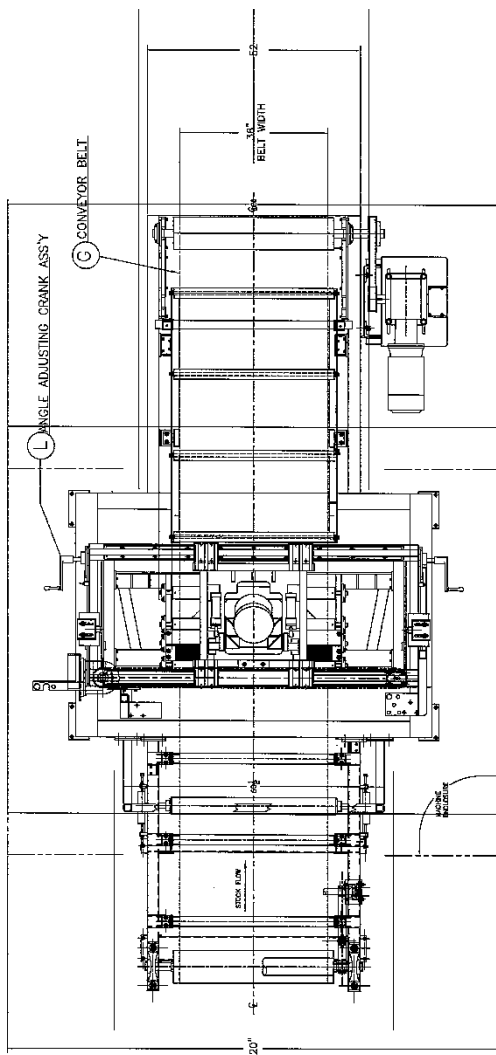
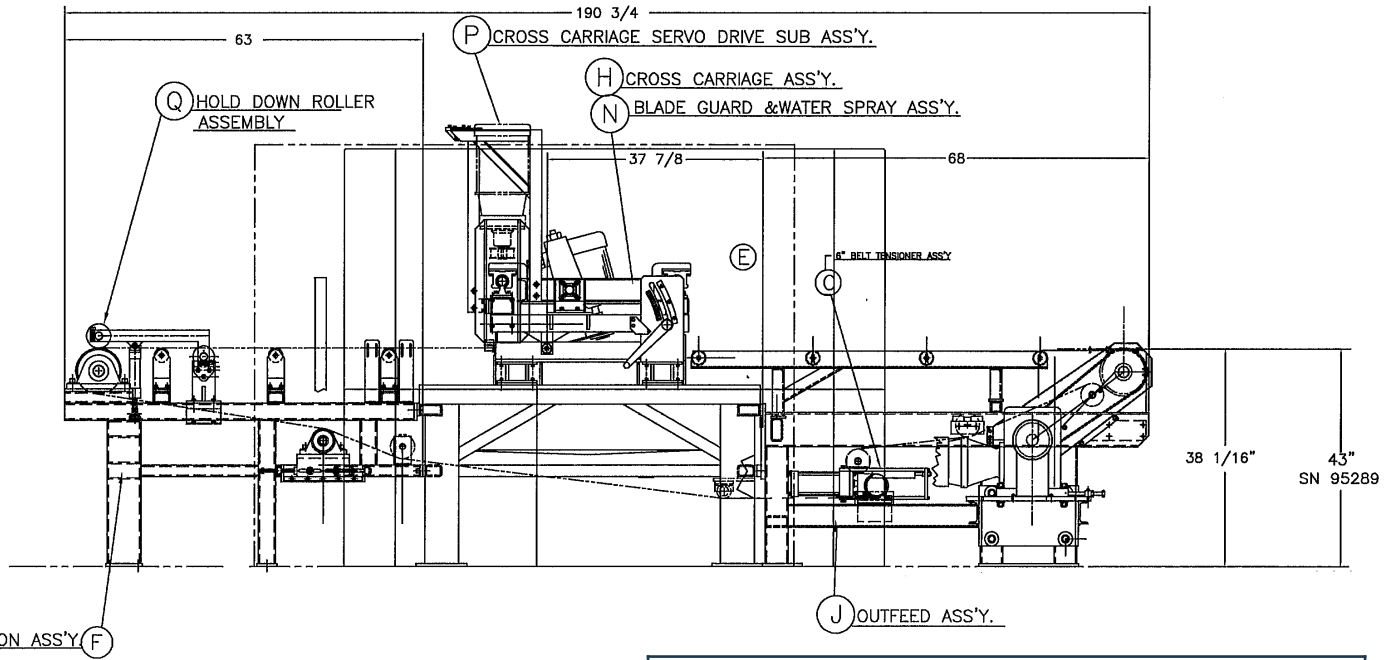


Spadone's M8 Start / Stop Servo Tread Skivers are designed for the most demanding applications. Since 1917, Spadone has manufactured rugged and dependable machines for the tire and rubber industry. Spadone's M8 Start / Stop Servo Tread Skiver is fully automatic, and designed to produce through a full range of line speeds while holding tight cutting tolerances. With a broad range of options and configurations, Spadone's Tread Skivers are designed with the highest production capability in mind.

#### Features

- Fully automatic
- Close accuracy
- High production capability
- Rugged and dependable
- Smooth and quiet operation
- Guarded for operator safety
- Allen Bradley PLC system
- Precise two Servo axis
- Water spray mist system
- Designed to customer specifications
- Production of 26 CPM
- Line speed in excess of 120 feet per minute
- No necessary shock absorbers, physical stops or clutches
- Optional dual conveyors for variable infeed and outfeed speeds

## Illustrative Drawing



### Specifications

Cycle Rate	26 CPM+
Line Speed	120 feet per minute+
Repeatability	+/- .060" or better
Length Control	Servo system with master scale encoder
Cut Length	150" max
Stock Width	36" Skiver: 32" 42" Skiver: 38"
Angle Adjustment Range	15° through 30°
Knife Motor	5 HP, AC, 1800 RPM, aluminum frame
Knife	20" diameter, can be resharpened to 18"
Knife Lubrication	Water spray mist system
Conveyor Belt	4 ply ribbed poly belt
Guarding	Complete, including floor mounted enclosure around moving carriages
Services Required	Electrical: adaptable to local requirements
Air	80 PSI max, 1" NPT feed line
Water	1/2" NPT feed line

**RUGGED. DEPENDABLE. RELIABLE.**

Spadone is the worldwide brand leader in equipment for the tire, rubber and industrial markets. Since 1917, Spadone equipment has proven to be rugged, reliable, and dependable. For over 100 years, Spadone has proudly manufactured in the USA. As the pioneer in bias cutters, Spadone continues to lead the way by providing the highest quality equipment to meet the growing needs of its customers throughout the world.

**INDUSTRY LEADING  
PERFORMANCE  
SINCE 1917**

**SPADONE**

[spadonemachine.com](http://spadonemachine.com)



601 Davisville Rd, Willow Grove, PA 19090  
P: 1.215.396.8005 E: [sales@spadonemachine.com](mailto:sales@spadonemachine.com)